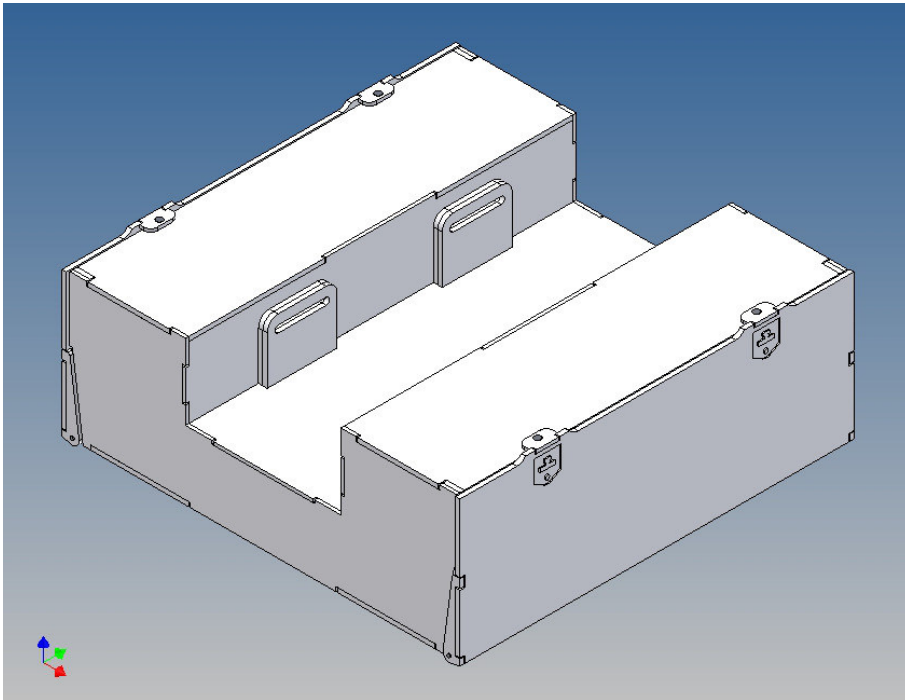


Assembly Instruction

Storage box front for TAMIYA Reefer Semi-Trailer (1:14)

Best.-Nr.: 2016-9210-180



Version 1.0 – 16.08.2017

General Description

This polystyrene-milled parts set for a storage box is designed for the TAMIYA reefer semi-trailer (M1:14)

The storage box can be mounted on the trailer frame and has at the outsides of two hinged lid, which is held with magnets (magnets are in a separate bag)

Inside the box technique can be accommodated.

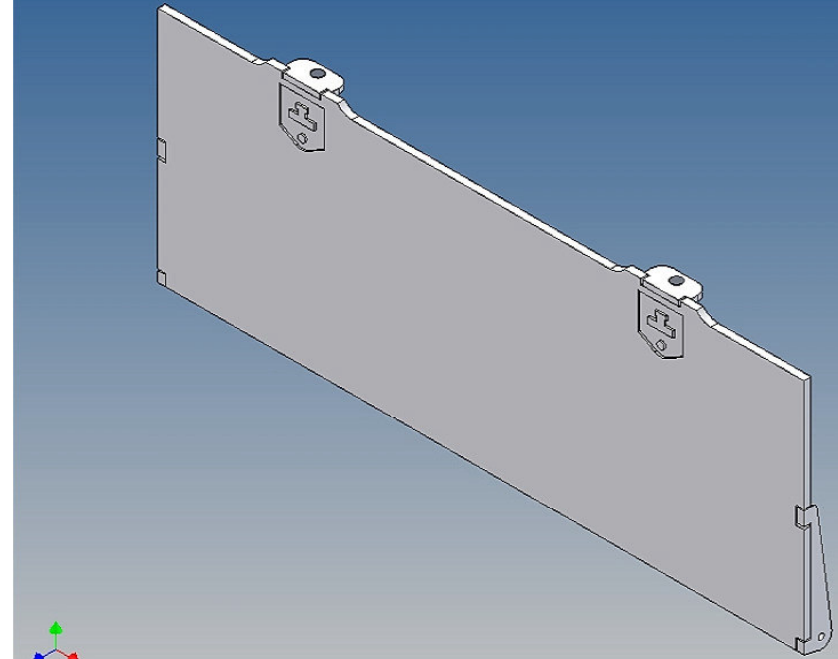
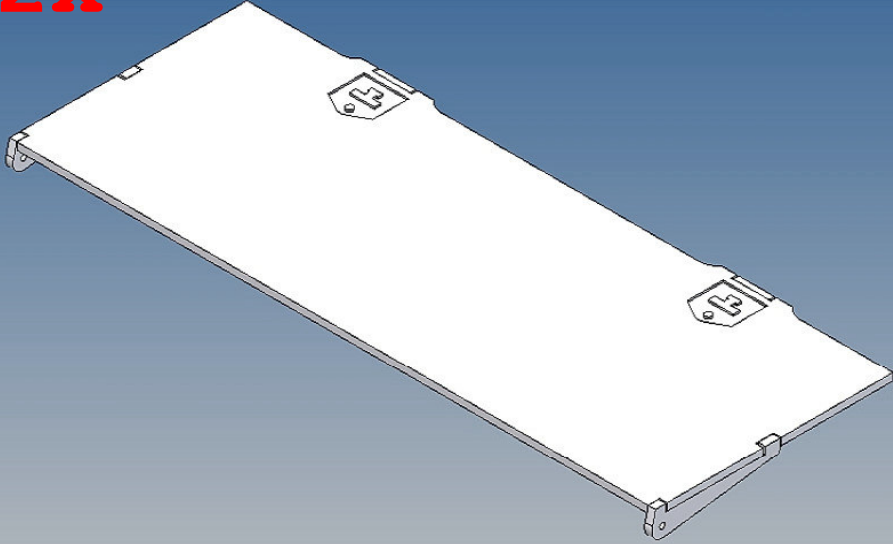
Assembly Procedure

Before you put the parts together please read the assembly instructions carefully and pay attention to the assembly sequence and test the fitting accuracy of the parts before gluing them together.

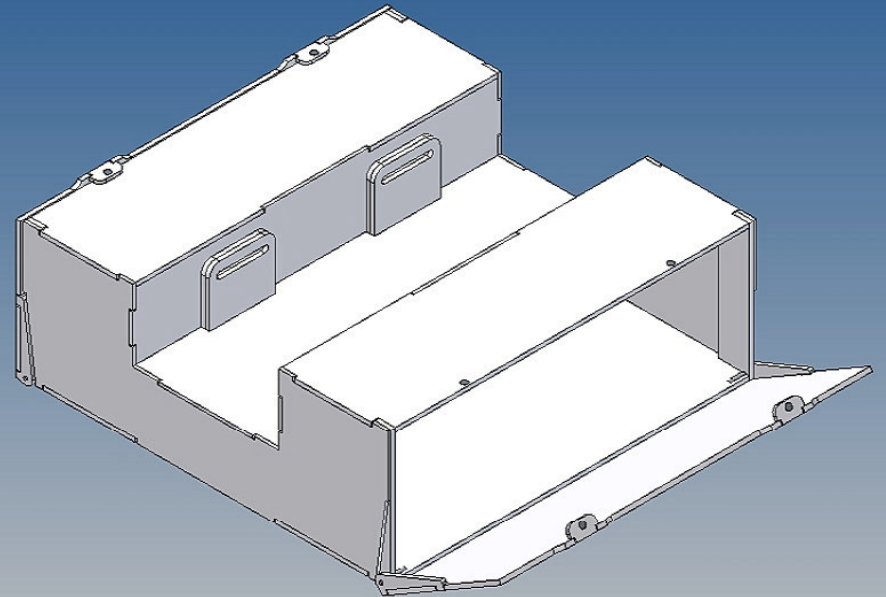
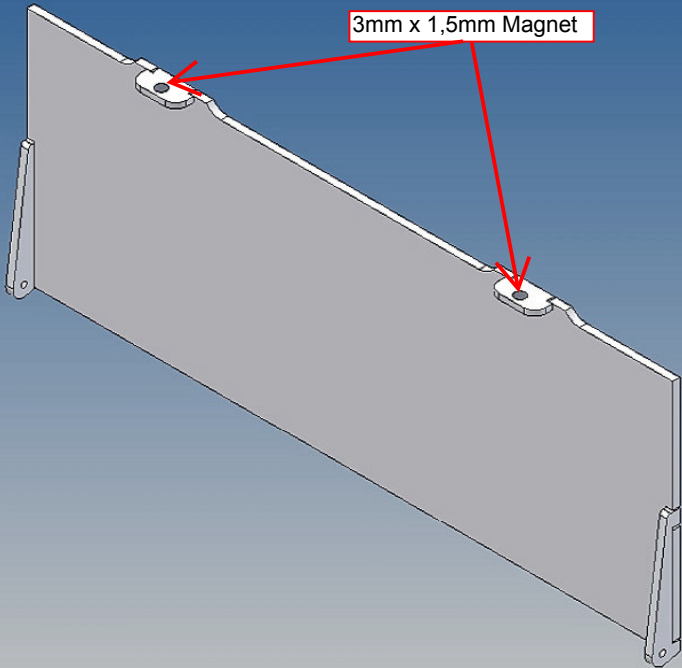
It is helpful to fix the parts at first only on a few points with super-glue and after a check along the edges fully with super-glue or a polystyrene-glye.

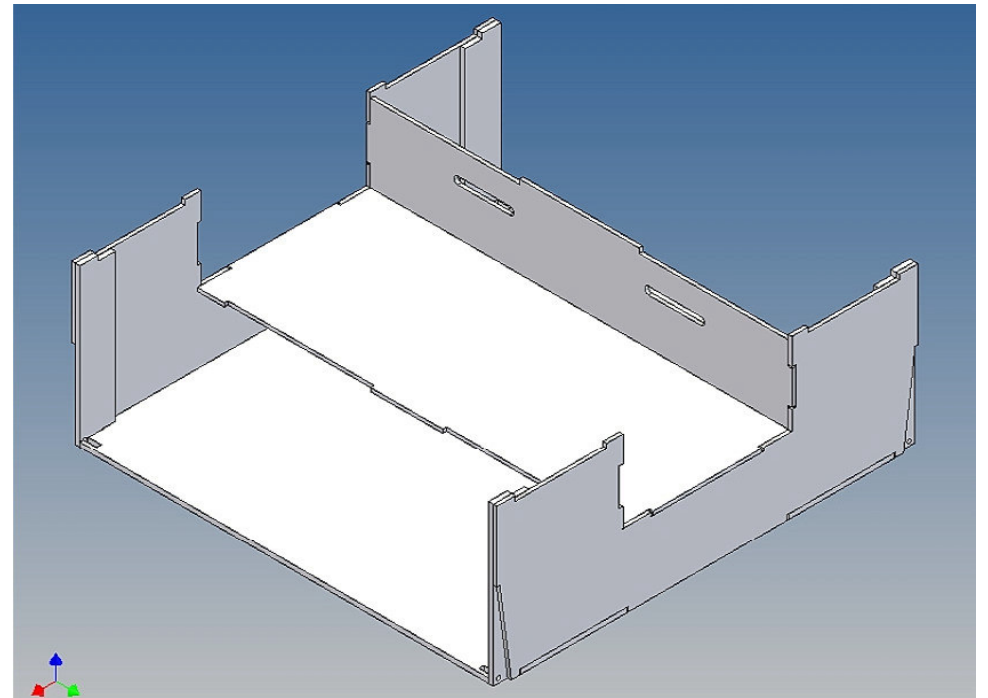
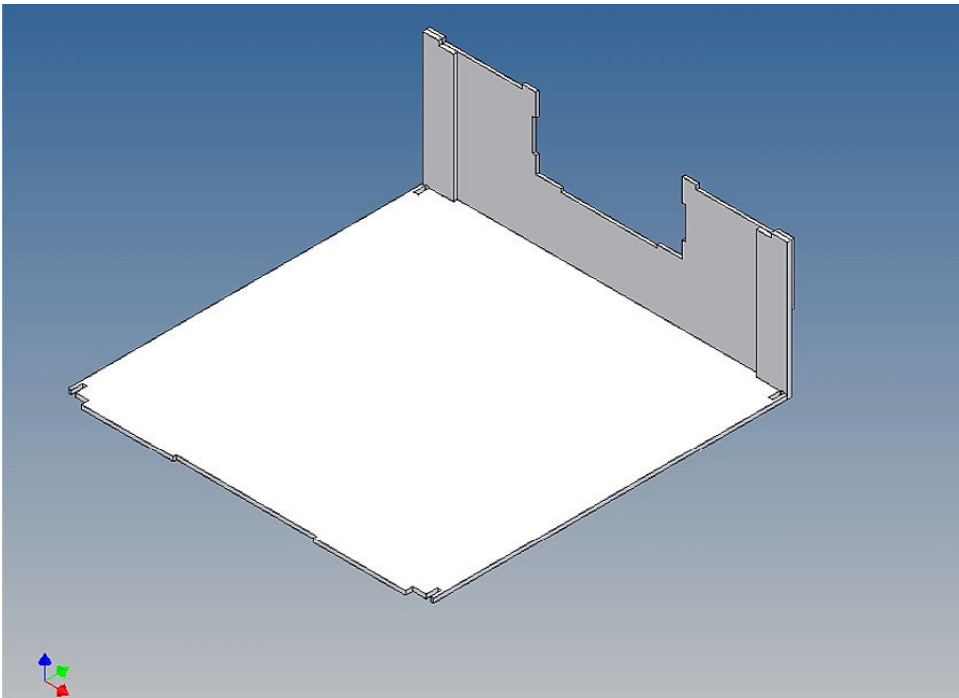
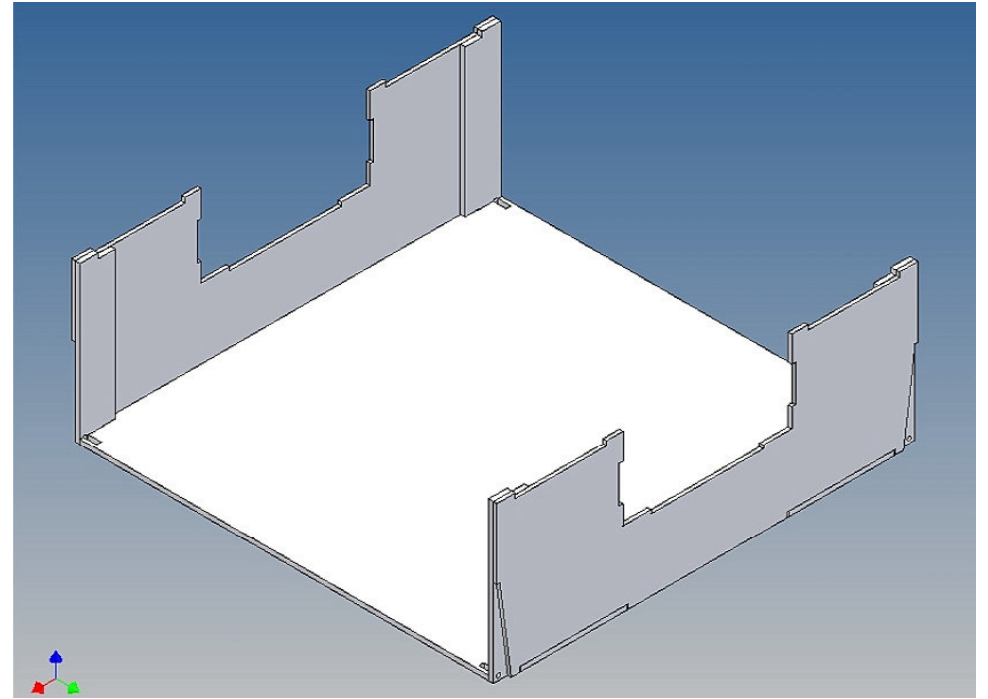
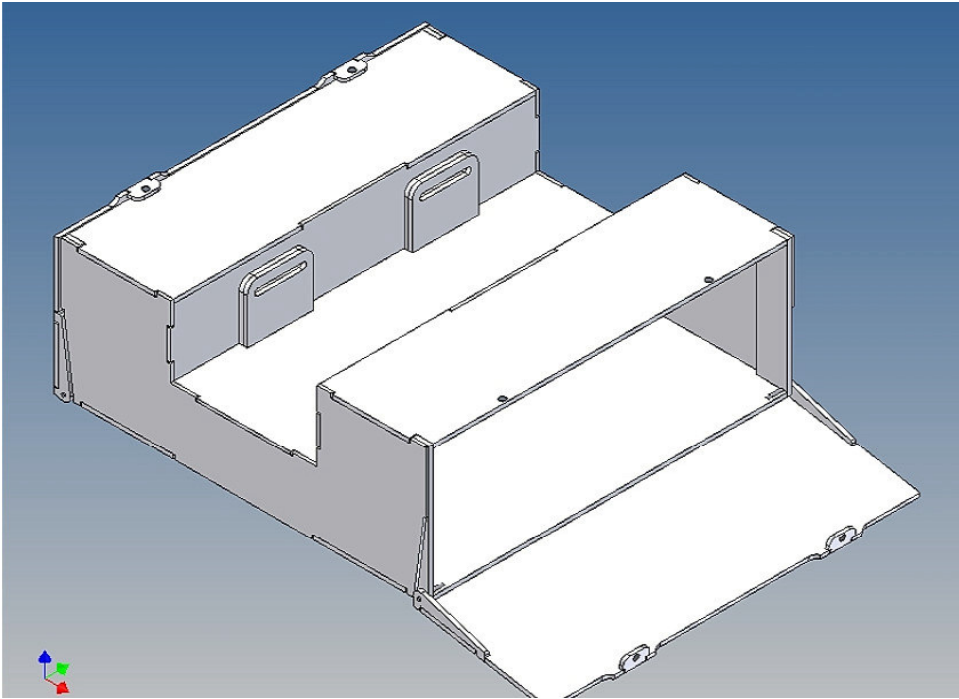
The parts are made of polystyrene, if you use super-glue in combination with activator spray, please be aware that the activator spray can destroy polystyrene – because of that you should use it very carefully or use only polystyrene-glye.

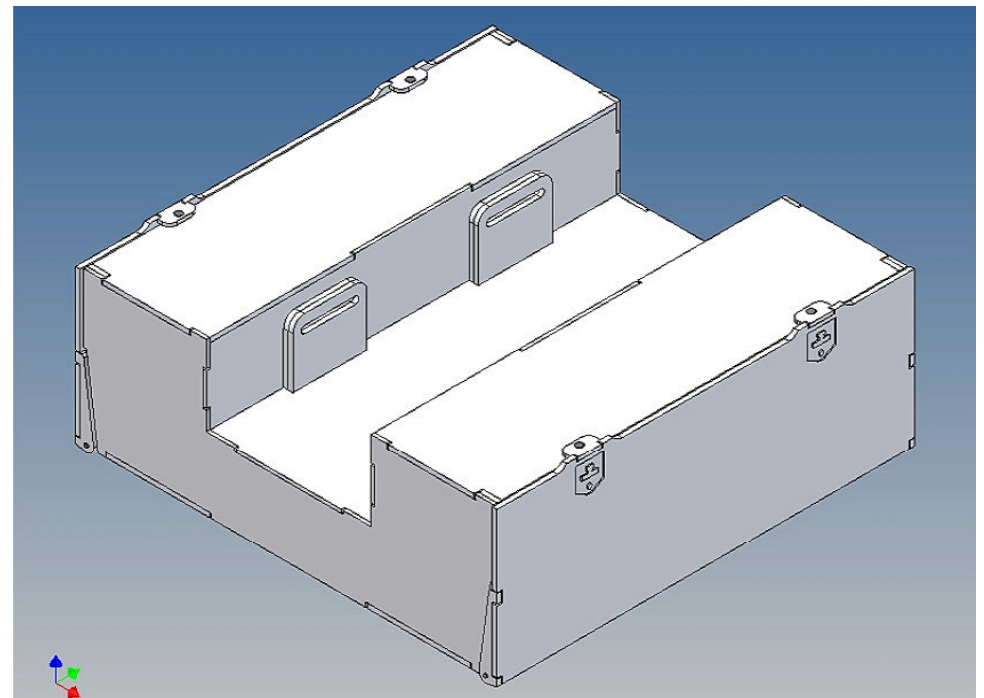
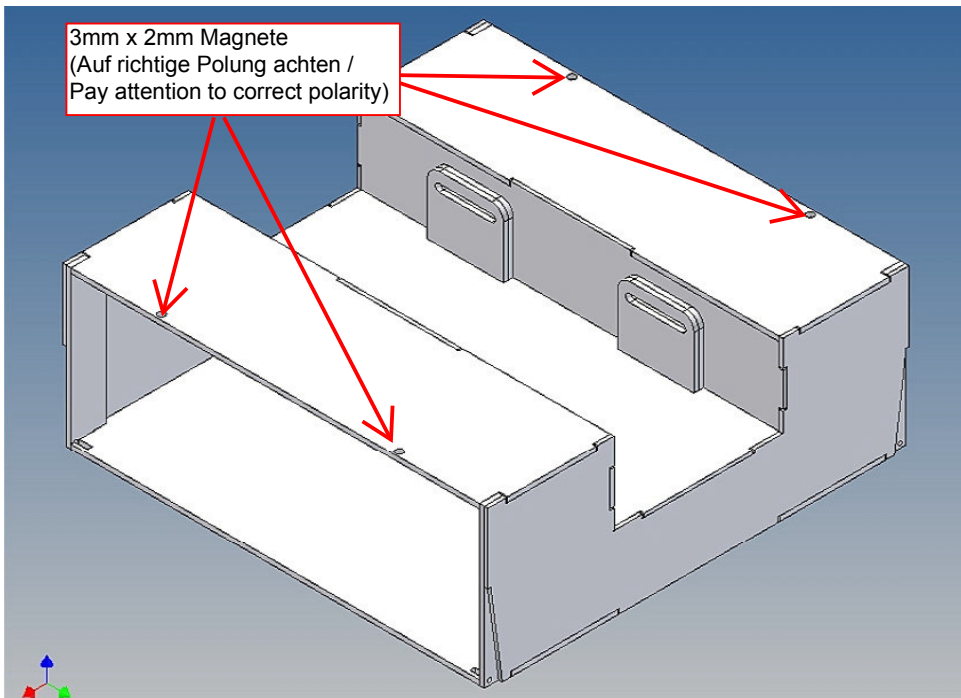
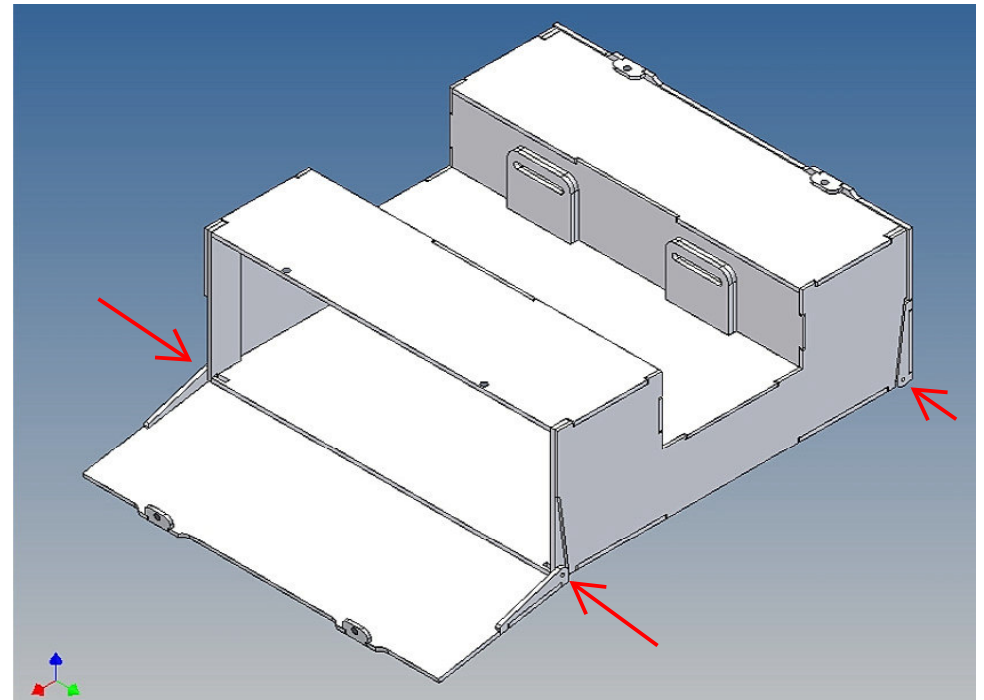
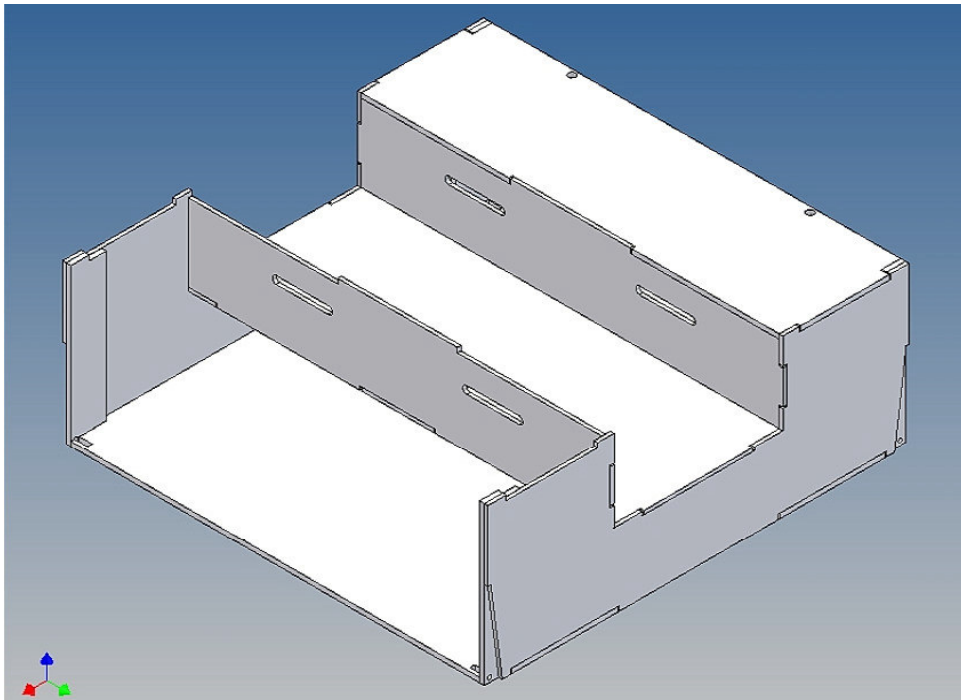
2x



3mm x 1,5mm Magnet







Annotation:

For technical reasons delivery also magnets with different dimensions may be enclosed.

Good luck and have fun - your MDTechShop team

www.MDTechShop.de

For questions or replacement part requests please send a short e-mail.

Warning:

This is not a toy! It contains small parts! Keep it away from young children!